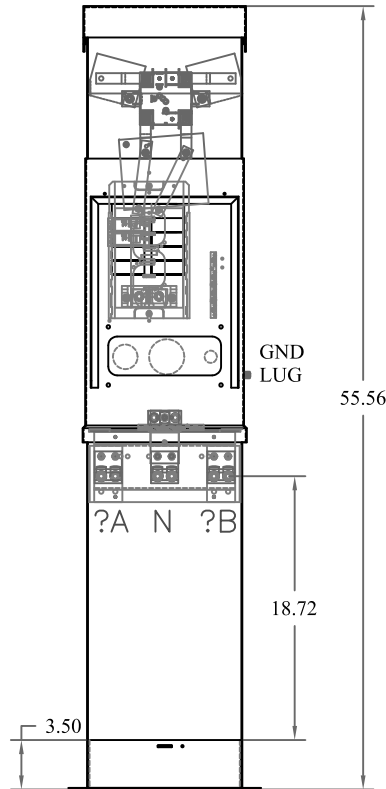
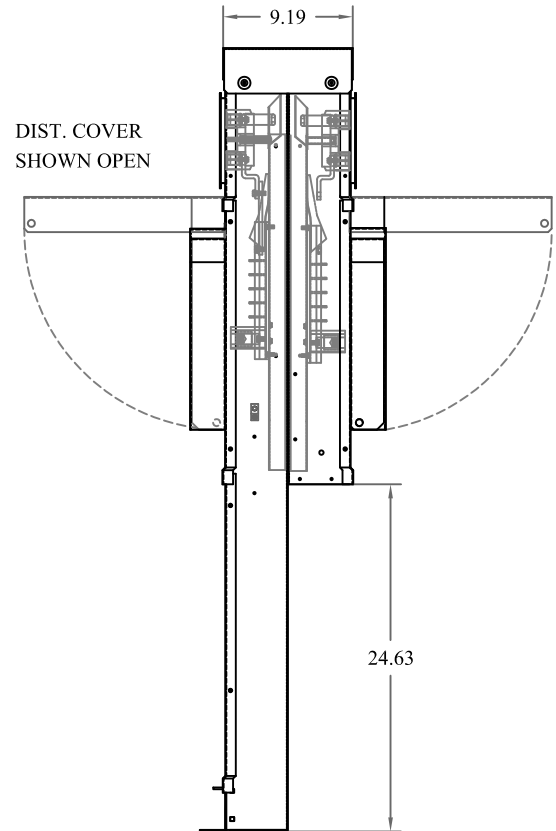


FRONT VIEW

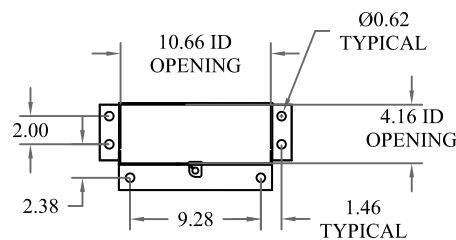


FRONT VIEW
SHOWN LESS COVERS



SIDE VIEW

BASE DETAIL



SPECIFICATIONS

- * NEMA 3R ENCLOSURE
- * POLYESTER POWDER-COATED FINISH EXCEEDS ASTM-B-117 SPECIFICATIONS
- * FABRICATED FROM CORROSION-RESISTANT ZINC-COATED STEEL
- * ALL FACTORY WIRINGS 600 VOLT RATED COPPER

- * UL LISTED "SUITABLE FOR USE AS MOBILE HOME SERVICE EQUIPMENT."
- * 350kCMIL LOOP FEED LUGS STANDARD
- * AVAILABLE AS MAIN BREAKER OR MAIN LUG
- * AVAILABLE WITH UP TO 10-BRANCH CIRCUIT SPACES
- * ALL COMPONENTS UL LISTED